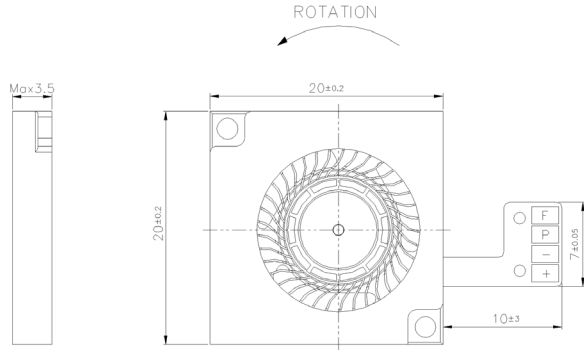
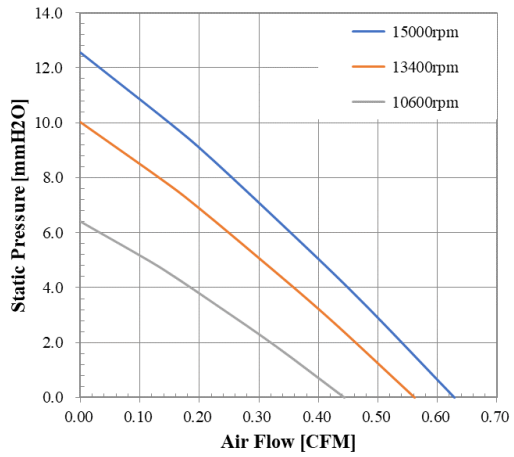


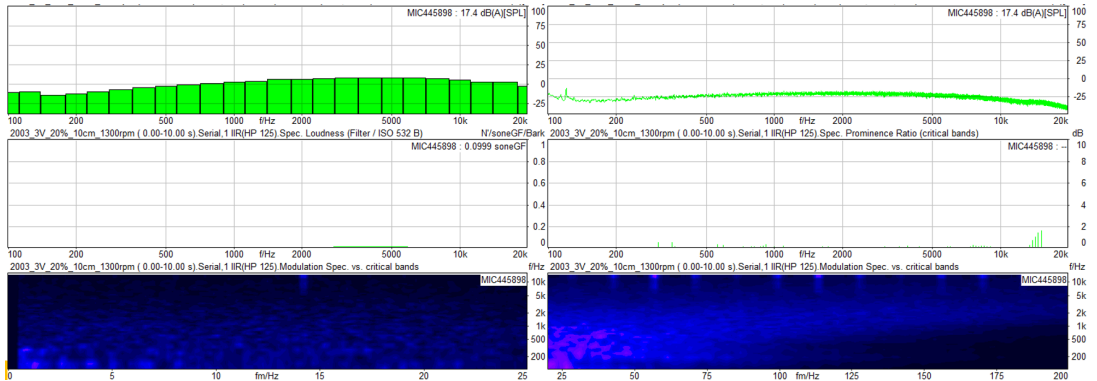
iMiNi Fan 20*20*3 MM Series



Housing : Plastic (UL 94V-0)
 Impeller : Plastic (UL 94V-0)
 Bearing Sleeve bearing
 Operating temp : -10 ~ 60°C
 Mass : 1.18g



20% Duty Speed Sound Quality Spectrum



Product Type	Model No.	Control Type	Bearing Type	Rated Voltage	Operating Voltage Range	Operating Temp.	Speed	Input Current	Input Power	Maximum Air Flow		Maximum Air Pressure		Noise	
				VDC	VDC	°C	R.P.M	Amp	Watt	CFM	l/min	Pa	mmH2O	dB(A)@30CM	
iMiNi 2003 鼓風扇	M1B2033H	HQ4010	+/-FG/PWM	Hydraulic	3	2~3.5	-40~60	15000	0.25	0.75	0.63	17.78	123.21	12.56	36.7
	M1B2033H	HQ4020	+/-FG/PWM	Hydraulic	3	2~3.5	-40~60	13400	0.16	0.48	0.56	15.89	98.33	10.03	34.3
	M1B2033H	HQ4030	+/-FG/PWM	Hydraulic	3	2~3.5	-40~60	10600	0.096	0.288	0.44	12.57	62.76	6.40	29.5
iMiNi 2003 IP68 鼓風扇	M1B2033H	HQ4110	+/-FG/PWM	Hydraulic	3	2~3.5	-40~60	15000	0.25	0.75	0.63	17.78	123.21	12.56	36.7
	M1B2033H	HQ4120	+/-FG/PWM	Hydraulic	3	2~3.5	-40~60	13400	0.16	0.48	0.56	15.89	98.33	10.03	34.3
	M1B2033H	HQ4130	+/-FG/PWM	Hydraulic	3	2~3.5	-40~60	10600	0.096	0.288	0.44	12.57	62.76	6.40	29.5